

**MPL**  
Corporation

203 N. Edgerton | PO Box 220 | Fairland, Indiana 46126 | Phone 317.835.9000 | Fax 317.835.3050 | mpl-corp.com

Sold To: \_\_\_\_\_

Shipped To: \_\_\_\_\_

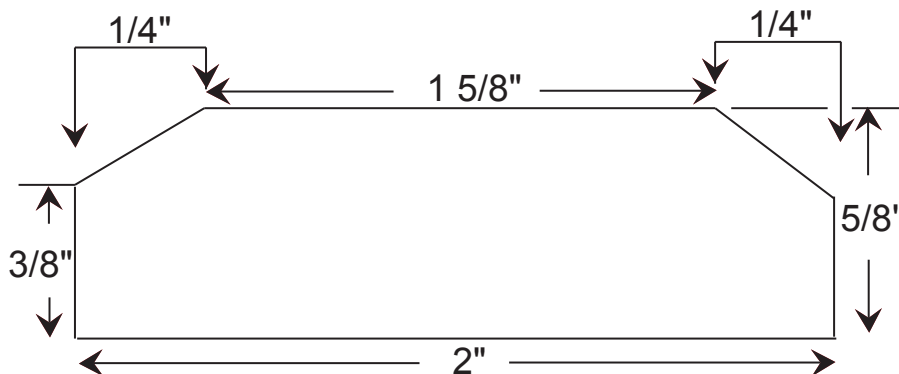
\_\_\_\_\_

\_\_\_\_\_

\_\_\_\_\_

\_\_\_\_\_

## 2" Threshold



Color/Finish: \_\_\_\_\_

Signature: \_\_\_\_\_

Quantity: \_\_\_\_\_

Date: \_\_\_\_\_