

MPL
Corporation

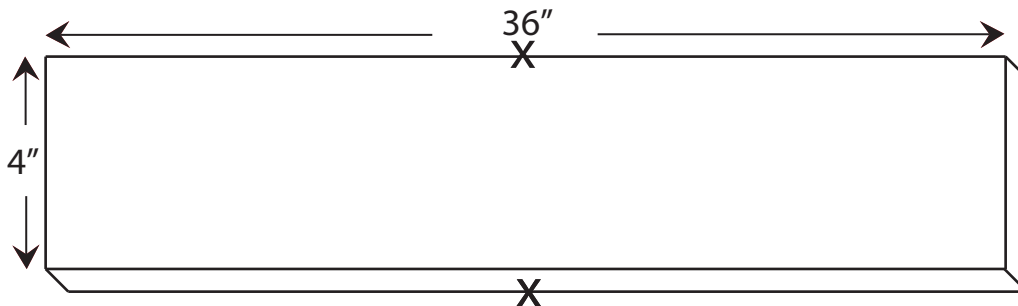
203 N. Edgerton | PO Box 220 | Fairland, Indiana 46126 | Phone 317.835.9000 | Fax 317.835.3050 | mpl-corp.com

Sold To: _____

Shipped To: _____

4" Threshold

(1/8" VARIANCE)



X = Finished Eased Edge

(3/4" THICK)

Color/Finish: _____

Signature: _____

Quantity: _____

Date: _____