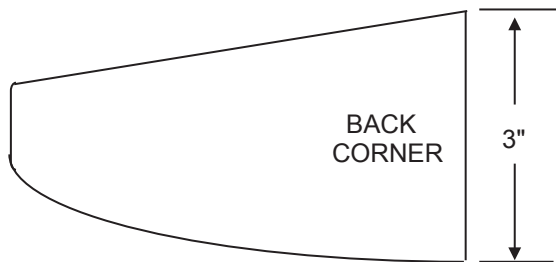
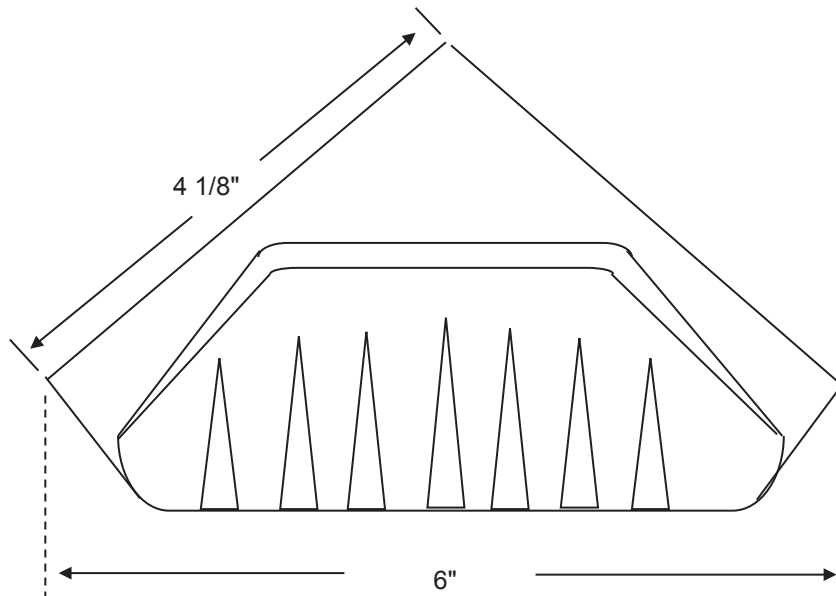


**MPL**  
Corporation

203 N. Edgerton | PO Box 220 | Fairland, Indiana 46126 | Phone 317.835.9000 | Fax 317.835.3050 | mpl-corp.com

# CORNER MOUNT SOAP DISH



Quantity: \_\_\_\_\_

Color: \_\_\_\_\_

Finish: \_\_\_\_\_

Approved By: \_\_\_\_\_ Date: \_\_\_\_\_