

MPL Corporation

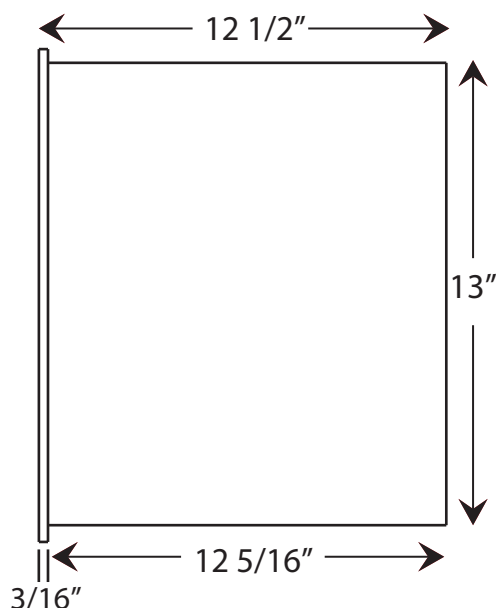
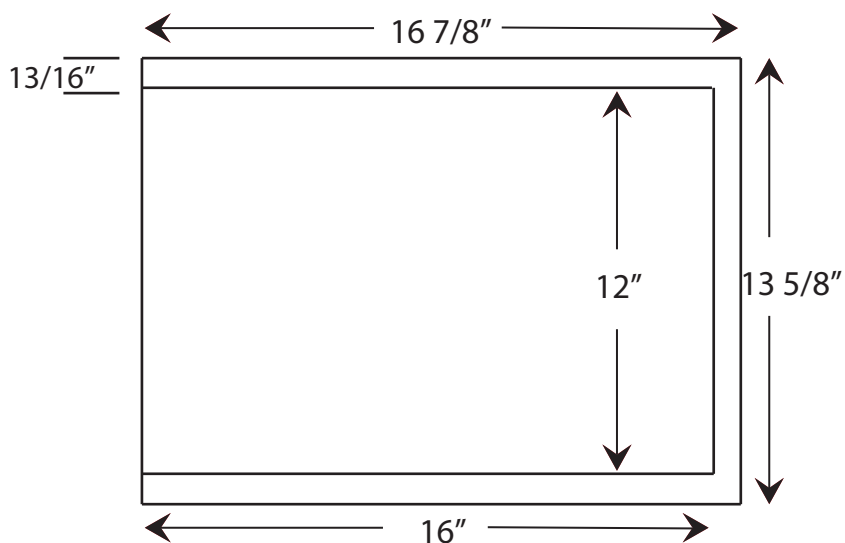
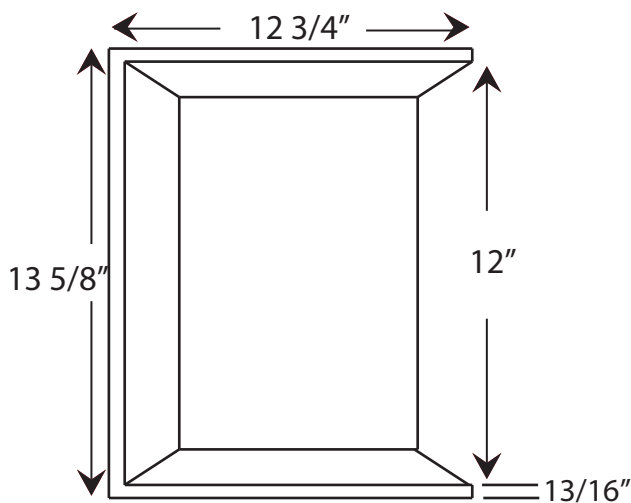
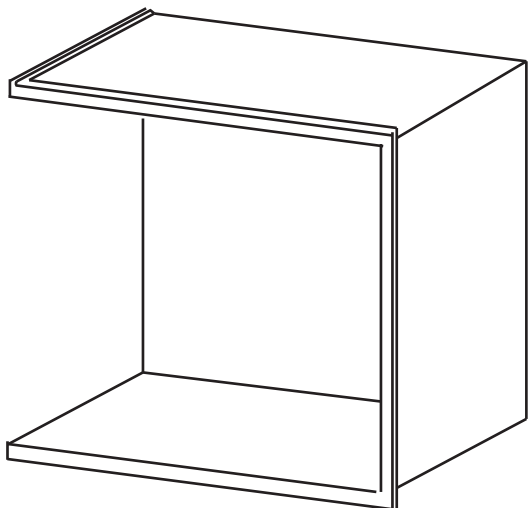
203 N. Edgerton | PO Box 220 | Fairland, Indiana 46126 | Phone 317.835.9000 | Fax 317.835.3050 | mpl-corp.com

Sold To: _____

Shipped To: _____

Accessories Nook

(Must Allow for 1/16 +/- Variance)



Color/Finish: _____

Signature: _____

Quantity: _____

Date: _____