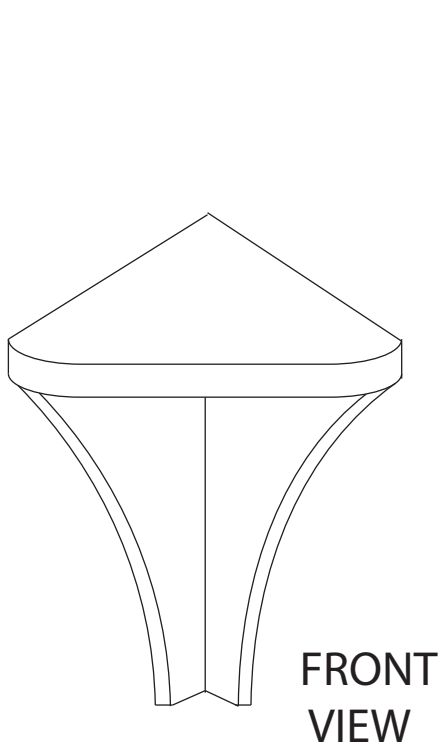


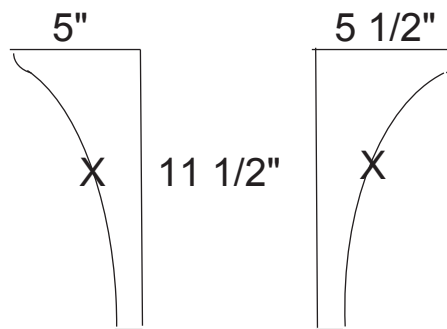
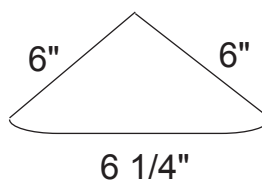
MPL
Corporation

203 N. Edgerton | PO Box 220 | Fairland, Indiana 46126 | Phone 317.835.9000 | Fax 317.835.3050 | mpl-corp.com

FOOT REST 6X6 W/BRACKETS



TOP VIEW



BRACKETS
1/2" THICK

Quantity: _____

Color: _____

Finish: _____

Approved By: _____

Date: _____